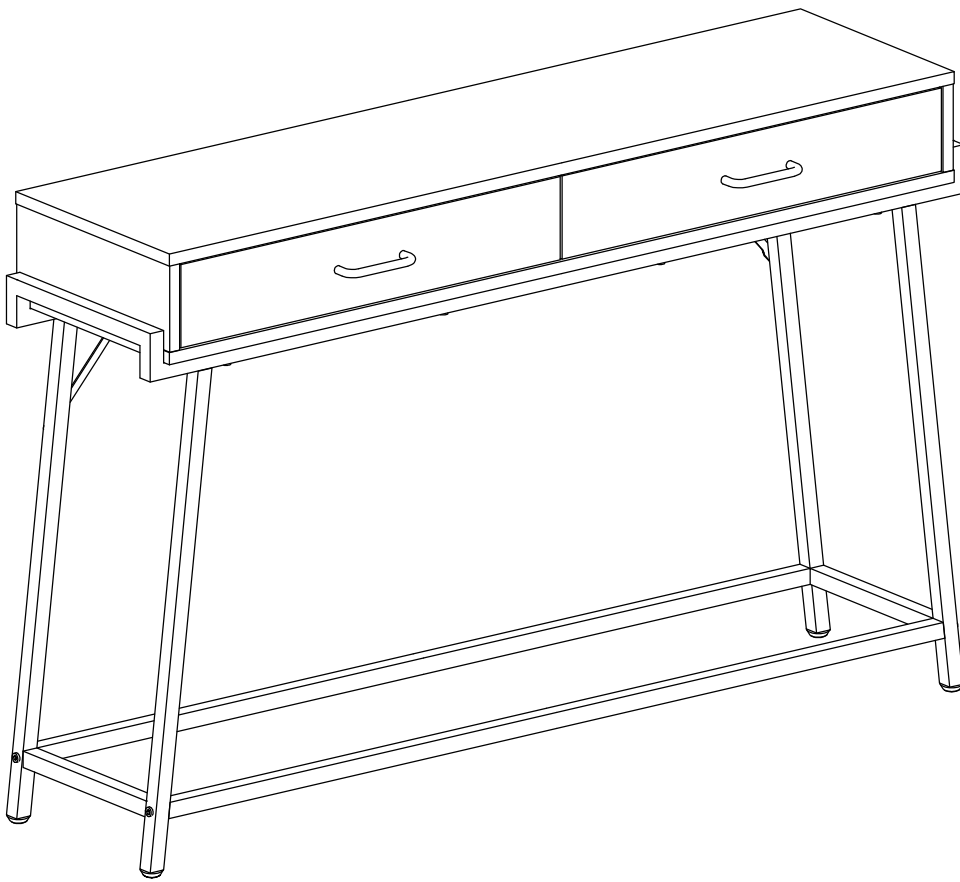


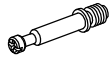
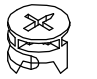



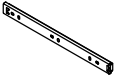




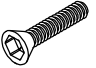






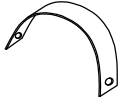
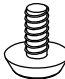
CONSOLE TABLE




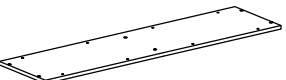
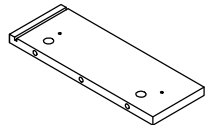
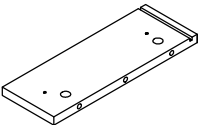
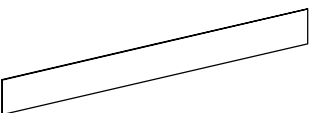
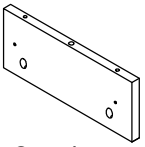
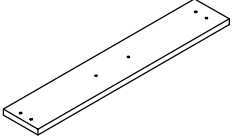
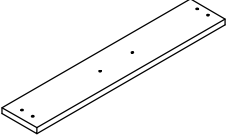
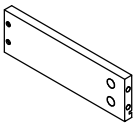
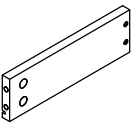
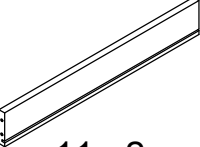
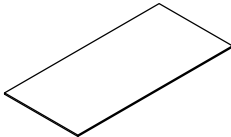
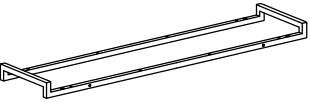




ASSEMBLY INSTRUCTION

Date last updated: 6-21-2022

HARDWARE LIST

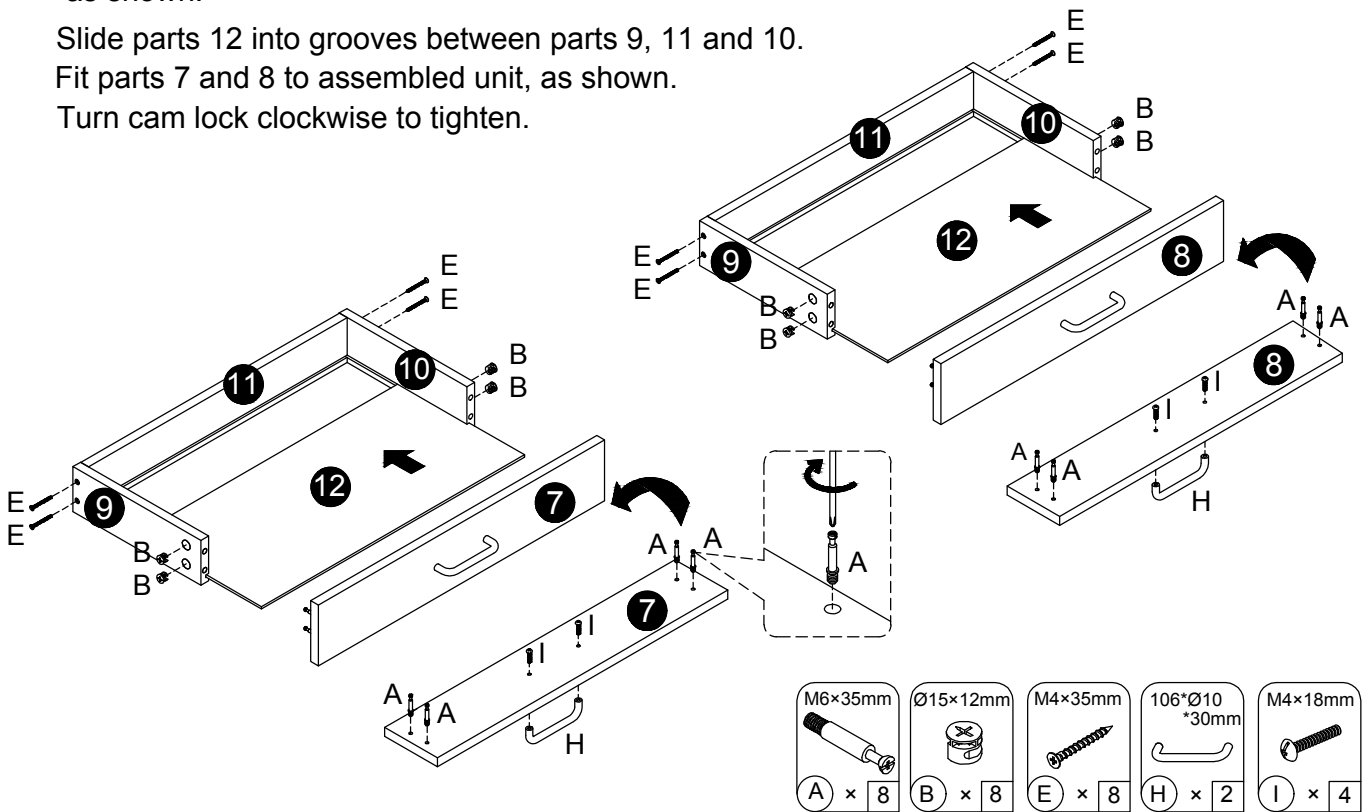
A	 M6×35mm	B	 Ø15×12mm	C	 M7×38mm	D	 Ø7.8×30mm
14 pcs		14 pcs		6 pcs		6 pcs	
E	 M4×35mm	F	 250mm	G	 M3.5×14mm	H	 106*Ø10*30mm
8 pcs		4 pcs		16 pcs		2 pcs	
I	 M4×18mm	J	 M6×30mm	K	 M6×40mm	L	 M6×40mm
4 pcs		8 pcs		4 pcs		4 pcs	
M	 M6×12mm	N	 4mm	O		P	
4 pcs		1 pc		2 pcs		2 pcs	
Q		R		S			
2 pcs		2 pcs		4 pcs			

PARTS LIST

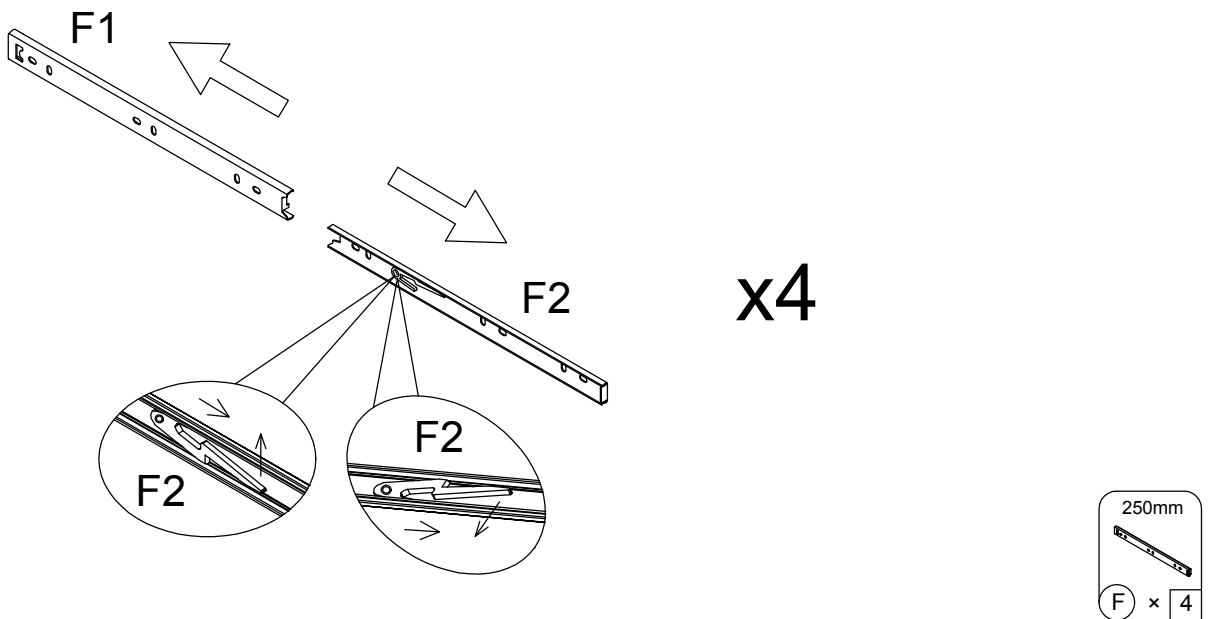
 1 - 1pc	 2 - 1pc	 3 - 1pc	 4 - 1pc
 5 - 1pc	 6 - 1pc	 7 - 1pc	 8 - 1pc
 9 - 2pcs	 10 - 2pcs	 11 - 2pcs	 12 - 2pcs
 13 - 1pc	 14 - 1pc	 15 - 1pc	 16 - 2pcs
 17 - 2pcs			

ASSEMBLY STEPS

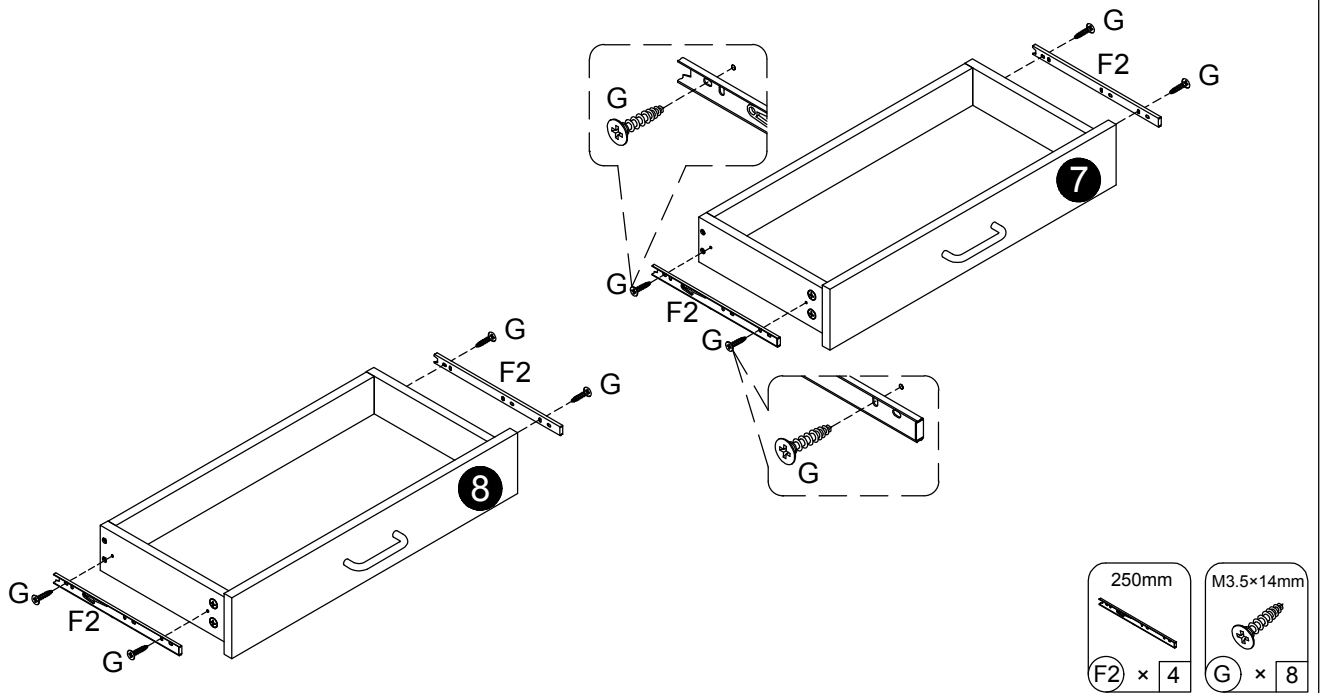
- 1** Insert quickfit screws (A) into parts 7 and 8.
 Fix Handles (H) to parts 7 and 8 using screws (I), as shown.
 Insert cam locks (B) into parts 9 and 10, and attach parts 9 and 10 to parts 11 using screws (E), as shown.
 Slide parts 12 into grooves between parts 9, 11 and 10.
 Fit parts 7 and 8 to assembled unit, as shown.
 Turn cam lock clockwise to tighten.



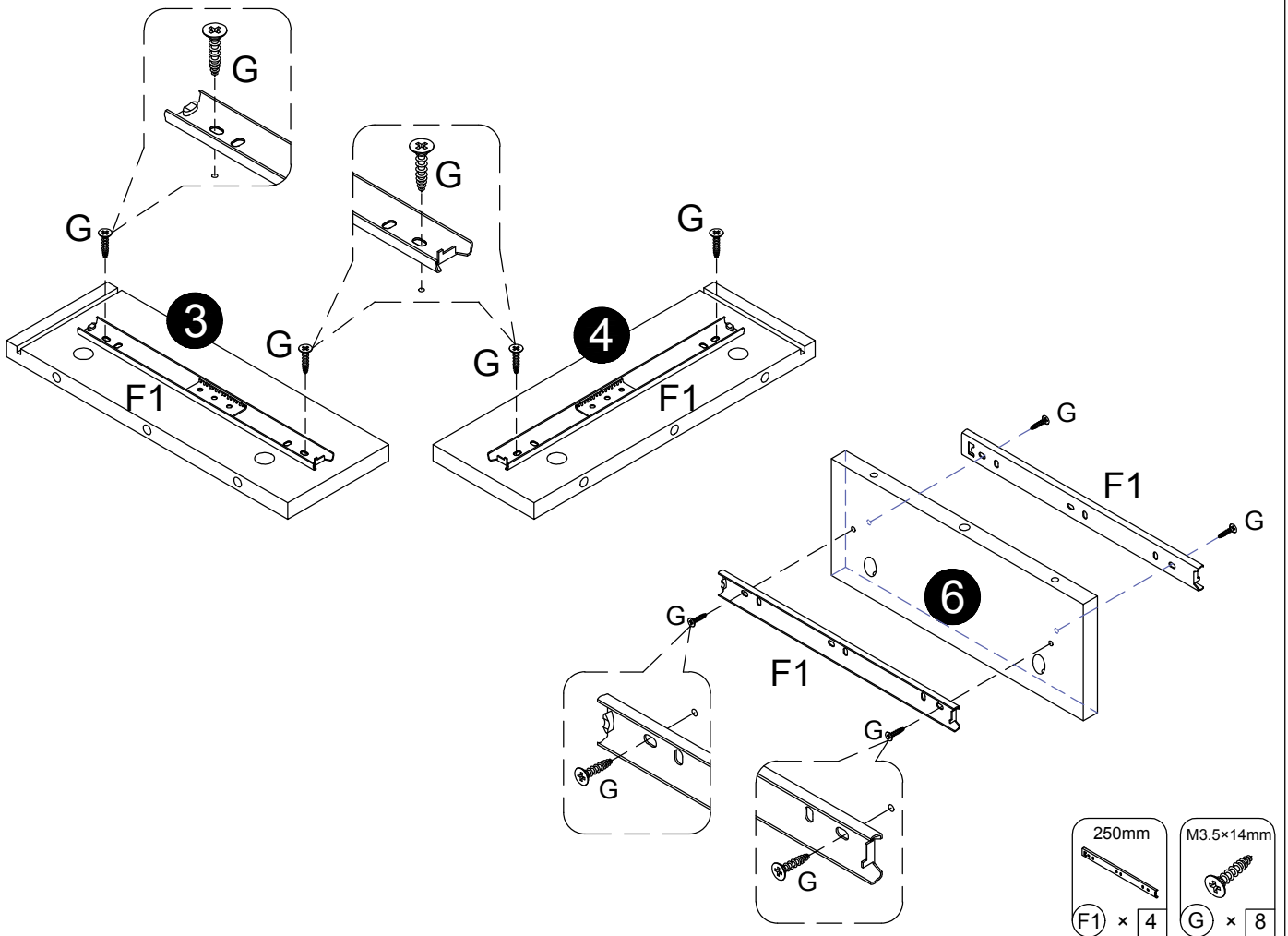
- 2** Slide drawer runner (F) apart until the drawer lock can be seen, as shown.
 Press and hold the drawer runner lock upwards and then continue to slide drawers runners apart, as shown.
 Your inner and outer drawer runners are ready to be fixed to panels.



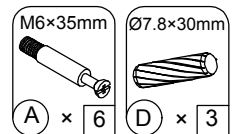
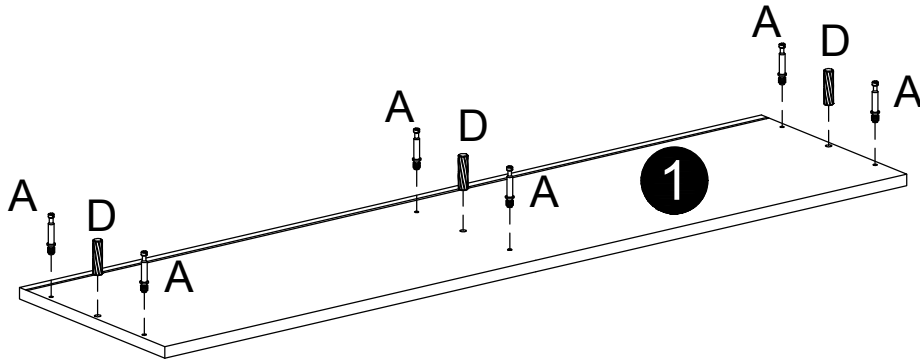
3 Fix inner drawer runners (F2) to assembled drawers using screws (G), as shown.



4 Fix outer drawer runners (F1) to parts 3, 4 and 6 using screws (G), as shown.



5 Insert quickfit screws (A) and wooden dowels (D) into part 1, as shown.

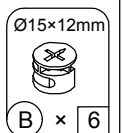
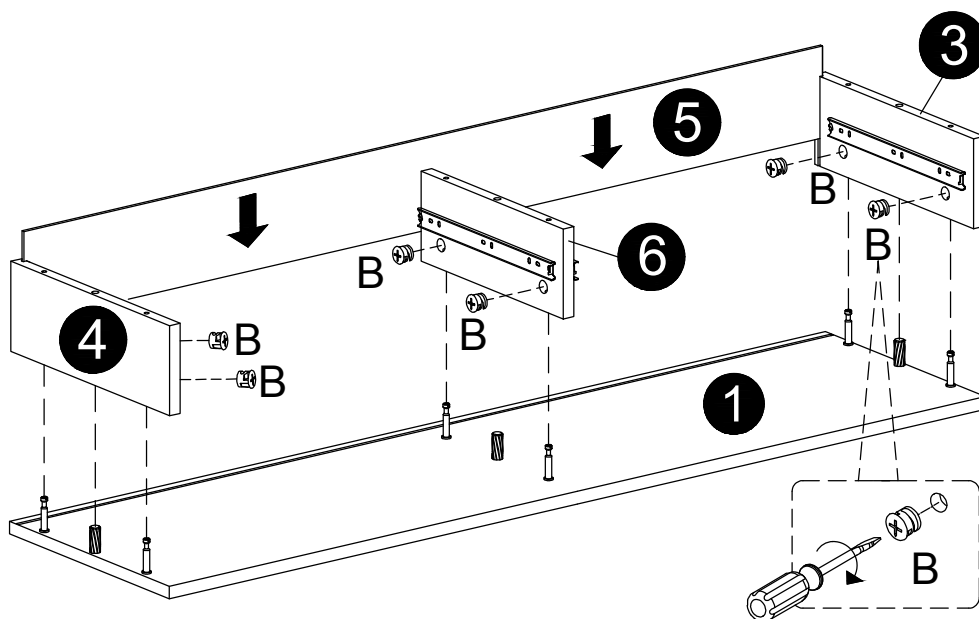


6 Insert cam locks (B) into parts 4, 6 and 3, as shown.

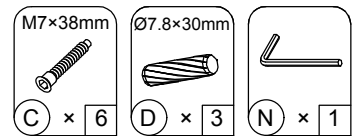
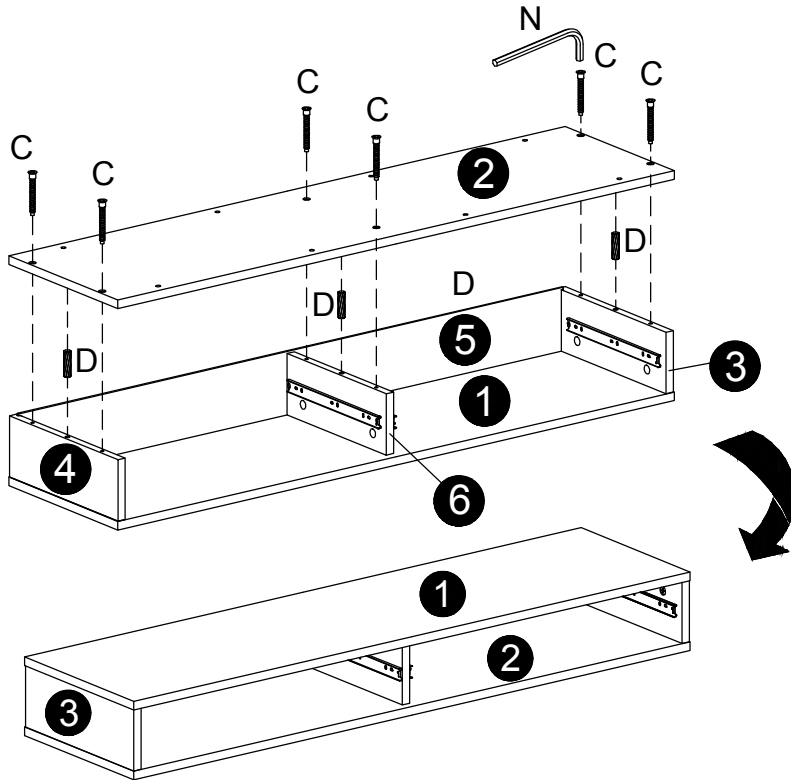
Fit parts 4, 6 and 3 to part 1.

Turn cam lock clockwise to tighten, as shown.

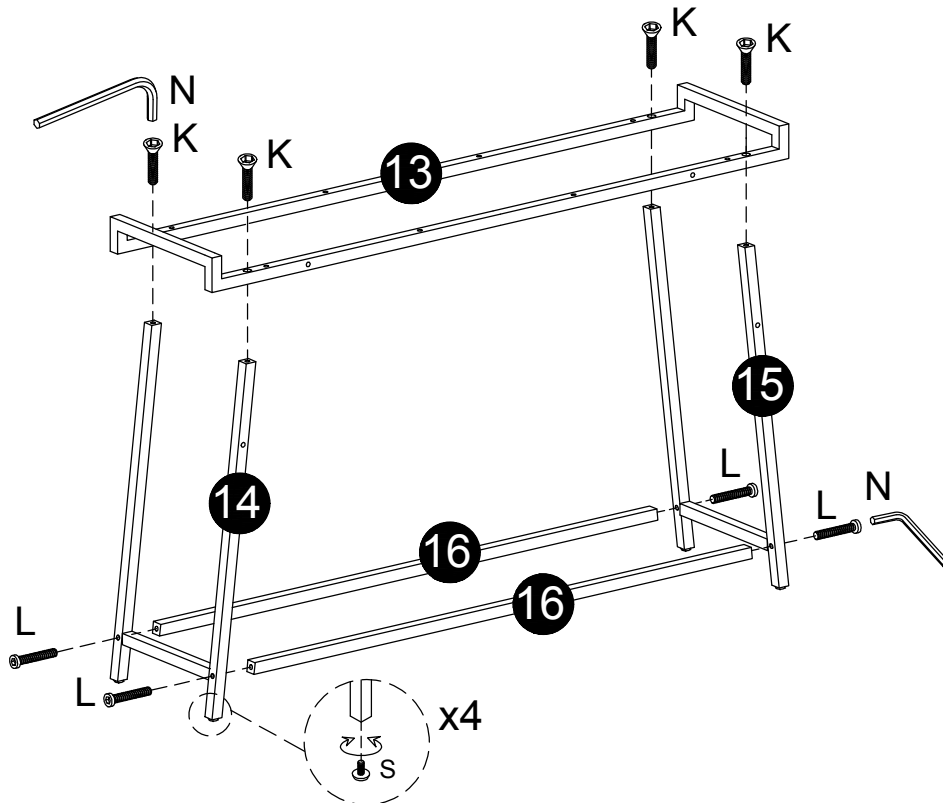
Slide part 5 into grooves between parts 4, 6, 3 and 1, as shown.



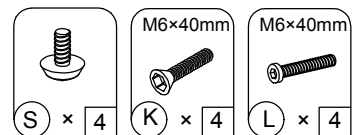
- 7** Insert wooden dowels (D) into parts 4, 6 and 3.
Attach part 2 to assembled unit using screws (C) and allen key (N), as shown.



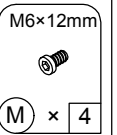
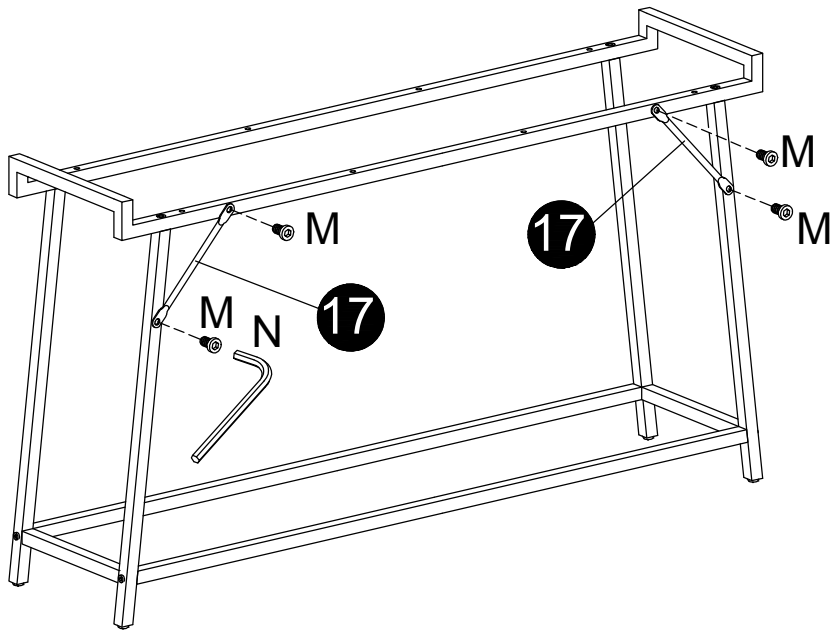
- 8** Fix parts 16 to parts 14 and 15 using screws (L), as shown.
Fix part 13 to parts 14 and 15 using screws (K), as shown.
Insert foot nails (S) into parts 14 and 15, as shown.



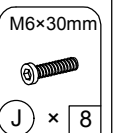
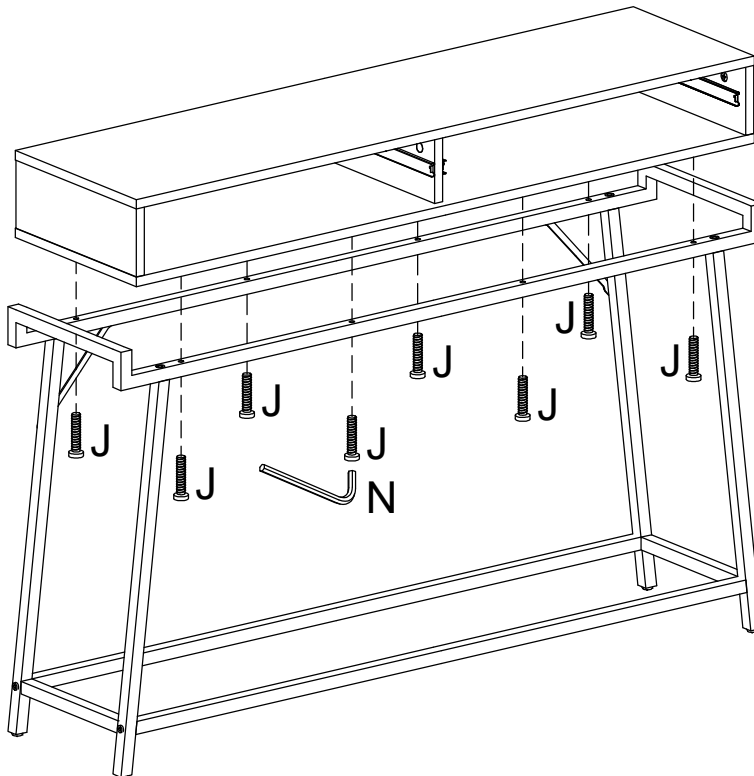
Adjust foot height to balance



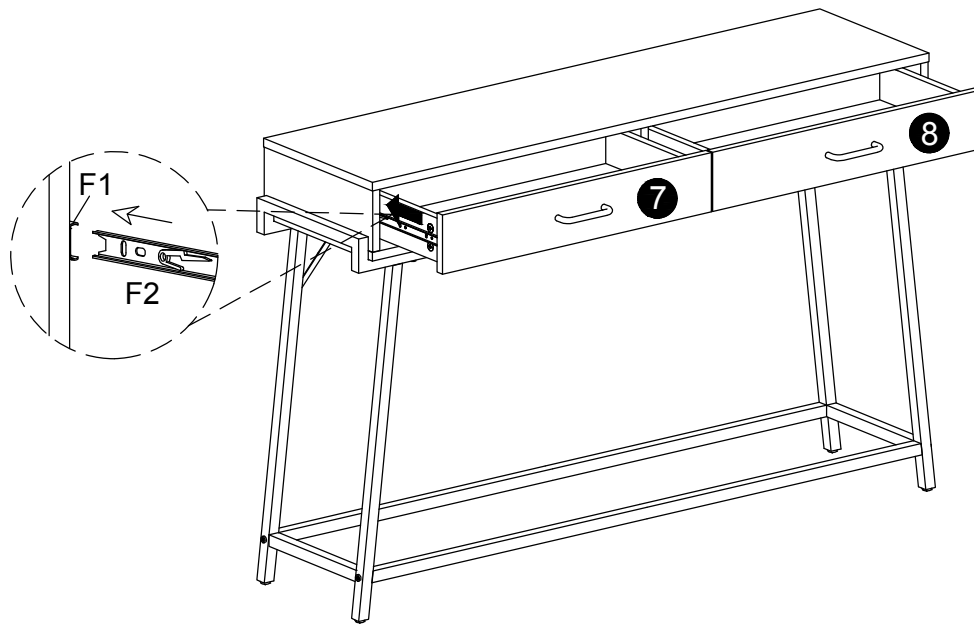
9 Fix connecting brace 17 to assembled unit using screws (M), as shown.



10 Fix assembled unit to metal legs using screws (J), as shown.



11 Fit drawers into assembled unit, as shown.



12 For extra stability, it is recommended that you fix your console table to the wall using wall strap (R) and hardware (O, P and Q), as shown.

Fix wall strap (R) on to assembled unit using screw (Q), as shown.

Screw (P) are fixed through wall strap and into the wall plugs (O).

Should you choose not to affix the product to the wall, serious injury may be caused if the product tips over.

